

**PLEASE CHECK WWW.MOLEX.COM FOR LATEST PART INFORMATION**

**Part Number:** [0757330001](#)  
**Status:** **Obsolete**  
**Overview:** [sfp\\_stacked\\_connectors](#)  
**Description:** Small Form-factor Pluggable (SFP) Stacked 2-by-5 Multi-Port Connector with Press-fit PC Tails, 200 Circuits

**Documents:**  
[Drawing \(PDF\)](#)

**Agency Certification**

CSA	LR19980
UL	E29179

**General**

Product Family	I/O Connectors
Series	<a href="#">75733</a>
Application	Module-to-Board
Component Type	Receptacle
Overview	<a href="#">sfp_stacked_connectors</a>
Product Name	SFP
Type	N/A

**Physical**

Circuits (Loaded)	200
Circuits (maximum)	200
Color - Resin	Black
Durability (mating cycles max)	200
Flammability	94V-0
Lock to Mating Part	Yes
Material - Metal	High Performance Alloy (HPA)
Material - Plating Mating	Gold
Material - Plating Termination	Tin-Lead
Material - Resin	High Temperature Thermoplastic
Orientation	Right Angle
PC Tail Length (in)	0.120 In
PC Tail Length (mm)	3.05 mm
PCB Locator	Yes
PCB Retention	Yes
PCB Thickness Recommended (in)	0.093 In
PCB Thickness Recommended (mm)	2.40 mm
Packaging Type	Tray
Panel Mount	No
Pitch - Mating Interface (in)	0.031 In
Pitch - Mating Interface (mm)	0.80 mm
Plating min: Mating (µin)	30.4
Plating min: Mating (µm)	0.76
Plating min: Termination (µin)	30.4
Plating min: Termination (µm)	0.76
Polarized to Mating Part	Yes
Polarized to PCB	Yes
Surface Mount Compatible (SMC)	No
Temperature Range - Operating	-40°C to +85°C
Termination Interface: Style	Through Hole - Compliant Pin
Waterproof / Dustproof	No

**Electrical**

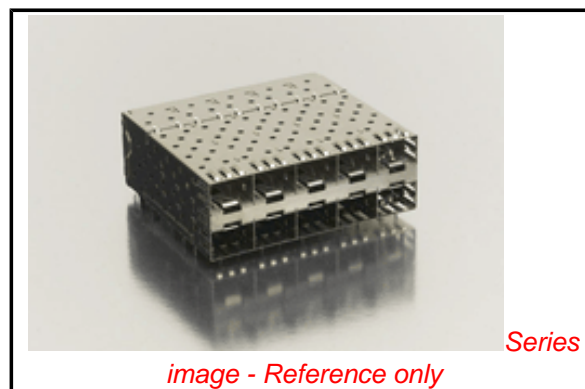


image - Reference only

Series

**EU RoHS**

**RoHS Compliant by Exemption**

**REACH SVHC**

Not Reviewed

**Halogen-Free**

Status

**Not Reviewed**

**China RoHS**



Pb

**Need more information on product environmental compliance?**

Email [productcompliance@molex.com](mailto:productcompliance@molex.com)  
 For a multiple part number RoHS Certificate of Compliance, [click here](#)

Please visit the [Contact Us](#) section for any non-product compliance questions.

**Search Parts in this Series**

[75733Series](#)

**Use With**

[0759510999 SFP Dust Plug,](#)

**Application Tooling | FAQ**

*Tooling specifications and manuals are found by selecting the products below. Crimp Height Specifications are then contained in the Application Tooling Specification document.*

**Global**

Description	Product #
SFP Stacked Multi-Port Insertion Tool, 2 by 5	<a href="#">0622029980</a>
SFP Stacked Multi-Port Extraction Tool, 2 by 5	<a href="#">0622029990</a>

Current - Maximum per Contact	0.5A
Shield Type	EMI Fingers
Shielded	Yes
Voltage - Maximum	30V

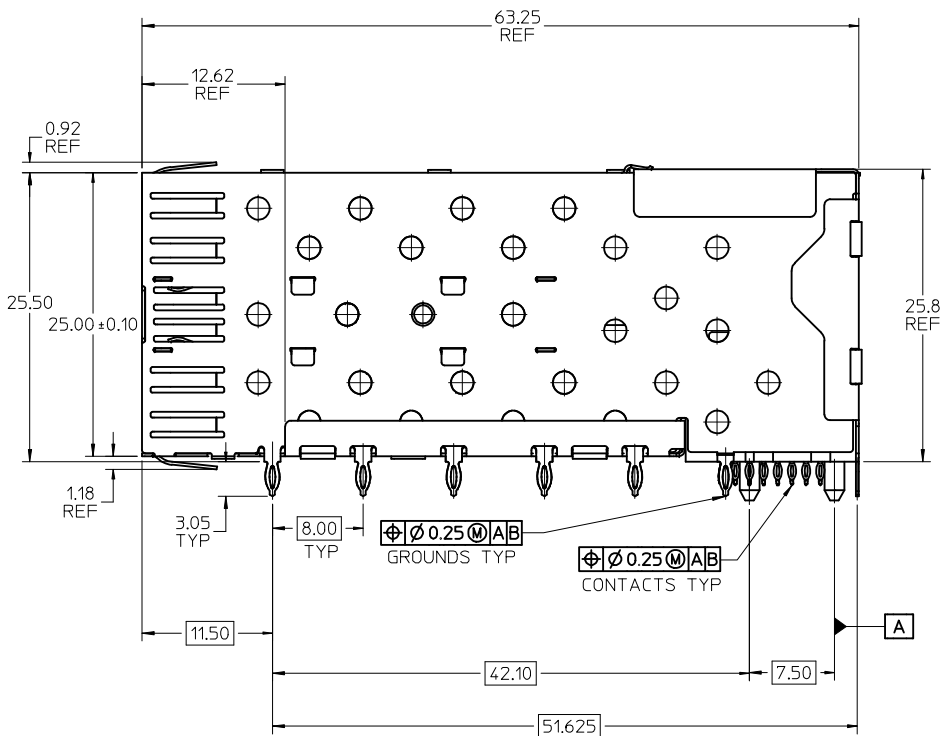
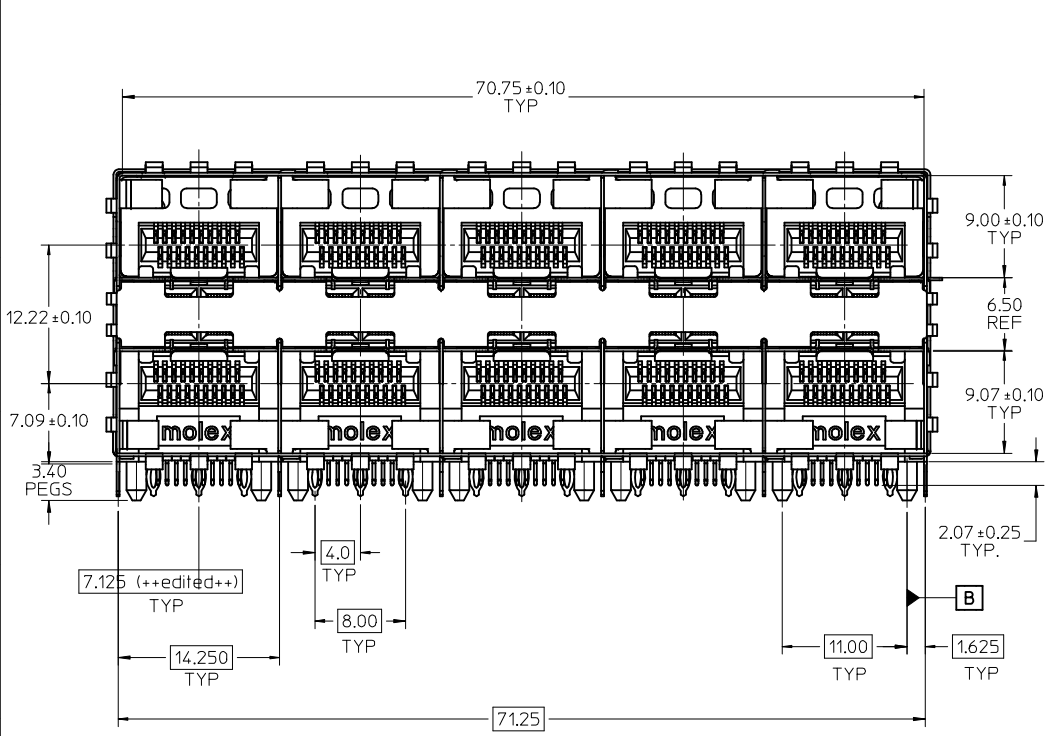
### **Material Info**

### **Reference - Drawing Numbers**

Application Specification	AS-75310-001
Packaging Specification	PK-75733-001
Sales Drawing	SD-75733-001

This document was generated on 06/04/2010

**PLEASE CHECK [WWW.MOLEX.COM](http://WWW.MOLEX.COM) FOR LATEST PART INFORMATION**



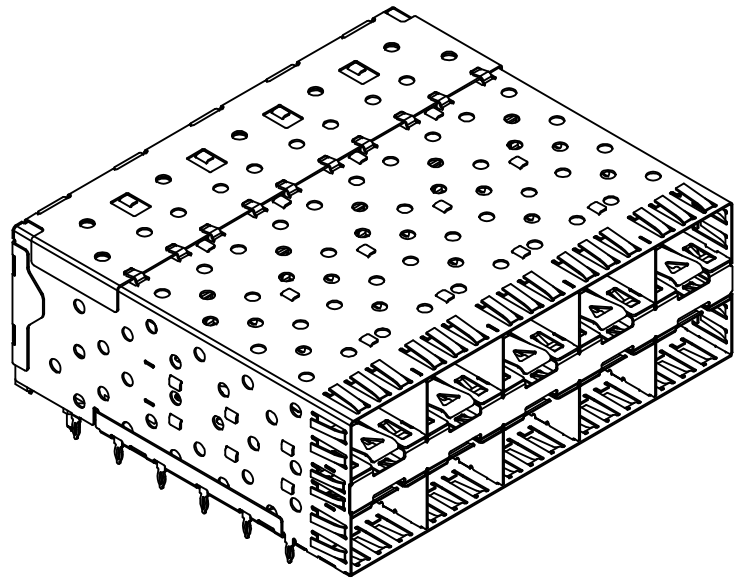
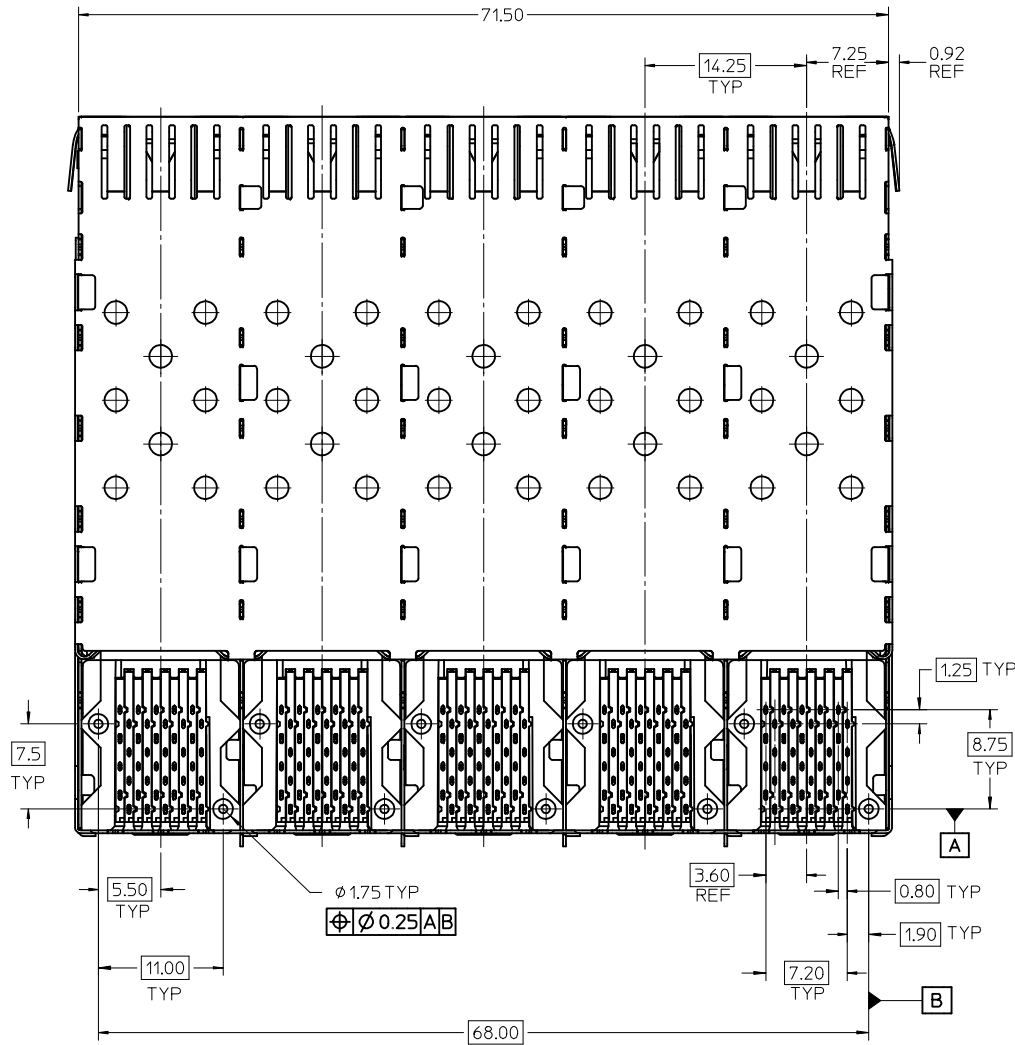
- NOTES:
- MATERIAL:
    - CAGE: NICKEL SILVER, THICKNESS: 0.25mm
    - CONNECTOR HOUSING: GLASS FILLED THERMOPLASTIC, UL: 94 V-0, COLOR: BLACK
    - OVERMOLD TERMINAL HOUSING: GLASS FILLED THERMOPLASTIC, UL: 94 V-0, COLOR: BLACK
    - TERMINALS: BRASS
  - FINISH
    - TERMINALS: CONTACT AREA: 0.76 MICROMETERS MINIMUM HARD GOLD OVER 1.27 MICROMETERS MINIMUM NICKEL.
    - COMPLIANT TAIL - TIN/LEAD OPTION: 0.76 - 1.52 MICROMETERS 90/10 TIN/LEAD OVER 0.76 - 1.52 MICROMETERS NICKEL.
    - COMPLIANT TAIL - TIN OPTION: 0.76 - 1.52 MICROMETERS TIN OVER 0.76 - 1.52 MICROMETERS NICKEL.
  - REFER TO PS-75310-001 PRODUCT SPEC FOR ALL ELECTRICAL, MECHANICAL AND ENVIRONMENTAL SPECIFICATIONS.
  - REFER TO PK-75733-001 FOR ALL PACKAGING SPECIFICATIONS.
  - THE CURVED TAILS THAT GO INTO THE HOLES LOCATED BY THESE DIMENSIONS ARE BEING ELIMINATED. TO ACCOMMODATE THIS CONVERSION, IT IS RECOMMENDED THAT BOARDS DESIGNED TO THIS PRINT REVISION INCLUDE THESE HOLES.
  - PART COMPLIES WITH COSMETIC SPECIFICATION PS-45499-002. SEE SHEET 4 SECTION Z-Z FOR SURFACE CLASSIFICATIONS. UNDERSIDE OF CAGE COMPLIES WITH CLASS 'C'.

757335001	TIN
757330001	TIN /LEAD
MATERIAL NO.	TERMINAL TAIL PLATING

<b>ADD KEEP OUT ZONES</b> EC NO: UCP2010-0369 DRWN:MSIBARRA 2009/07/01 CHKD:BBARKER 2009/08/26 APPR:SMILLER 2009/08/27	QUALITY SYMBOLS ▽=0 ▽=0	GENERAL TOLERANCES (UNLESS SPECIFIED)		DIMENSION STYLE <b>MM ONLY</b>		SCALE <b>3:1</b>	DESIGN UNITS <b>METRIC</b>	THIRD ANGLE PROJECTION
		4 PLACES ± --- ± ---	DRAWN BY DROSCA	DATE 11/23/2004	TITLE <b>STACKED SFP 2X5 MEDIUM HEIGHT ASS'Y, PRESS-FIT TAIL WITHOUT LIGHT PIPES</b>			
		3 PLACES ± --- ± ---	CHECKED BY JLONG	DATE 11/23/2004	MOLEX INCORPORATED			
		2 PLACES ± 0.13 ± ---	APPROVED BY RNELSON	DATE 11/23/2004	DOCUMENT NO. <b>SD-75733-001</b>			
1 PLACE ± 0.25 ± ---	MATERIAL NO. <b>SEE TABLE</b>	SIZE <b>C</b>	THIS DRAWING CONTAINS INFORMATION THAT IS PROPRIETARY TO MOLEX INCORPORATED AND SHOULD NOT BE USED WITHOUT WRITTEN PERMISSION			SHEET NO. <b>1 OF 4</b>		
DRAFT WHERE APPLICABLE MUST REMAIN WITHIN DIMENSIONS			MOLEX INCORPORATED					

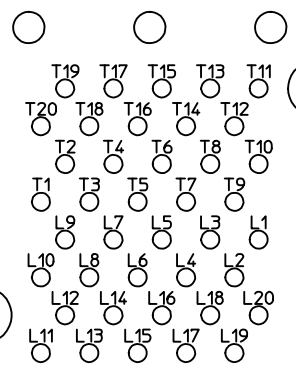
13 12 11 10 9 8 7 6 5 4 3 2 1

J  
I  
H  
G  
F  
E  
D  
C  
B  
A

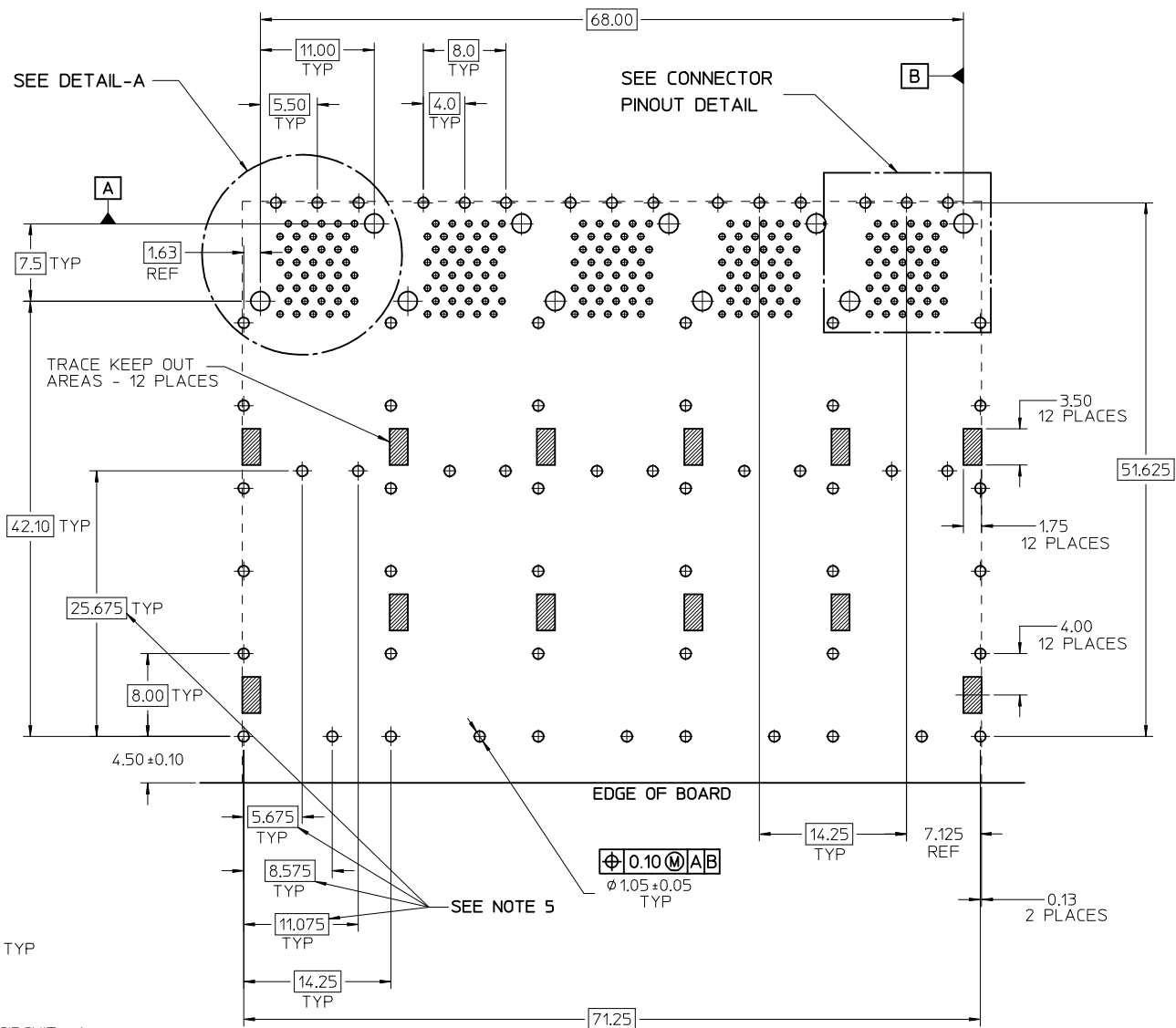


J  
I  
H  
G  
F  
E  
D  
C  
B  
A

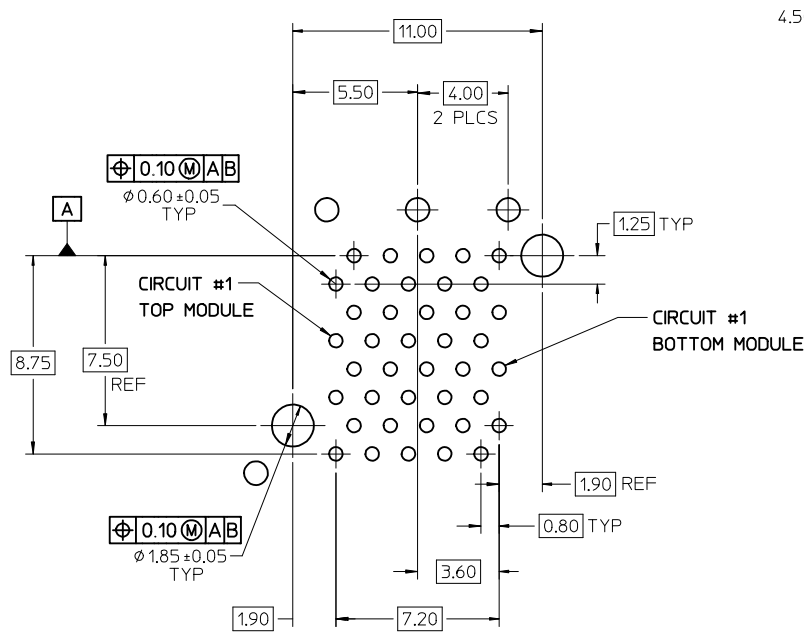
SEE SHEET 1 EC NO: UCP2010-0369 2009/07/01 DRWN:MS BARRA 2009/08/26 CHKD:BBARKER 2009/08/27 APPR:SMILLER 2009/08/27	QUALITY SYMBOLS	GENERAL TOLERANCES (UNLESS SPECIFIED) <table border="1"> <thead> <tr> <th></th> <th>mm</th> <th>INCH</th> </tr> </thead> <tbody> <tr> <td>4 PLACES</td> <td>± 0.13</td> <td>± 0.005</td> </tr> <tr> <td>3 PLACES</td> <td>± 0.25</td> <td>± 0.010</td> </tr> <tr> <td>2 PLACES</td> <td>± 0.38</td> <td>± 0.015</td> </tr> <tr> <td>1 PLACE</td> <td>± 0.51</td> <td>± 0.020</td> </tr> </tbody> </table> ANGULAR ± 5 °		mm	INCH	4 PLACES	± 0.13	± 0.005	3 PLACES	± 0.25	± 0.010	2 PLACES	± 0.38	± 0.015	1 PLACE	± 0.51	± 0.020	DIMENSION STYLE <b>MM ONLY</b>	SCALE <b>3:1</b>	DESIGN UNITS <b>METRIC</b>	THIRD ANGLE PROJECTION
			mm	INCH																	
	4 PLACES		± 0.13	± 0.005																	
	3 PLACES		± 0.25	± 0.010																	
2 PLACES	± 0.38	± 0.015																			
1 PLACE	± 0.51	± 0.020																			
▼=0 ▽=0	DRAWN BY DROSCA DATE 11/23/2004 CHECKED BY JLONG DATE 11/23/2004 APPROVED BY RNELSON DATE 11/23/2004	TITLE <b>STACKED SFP 2X5 MEDIUM HEIGHT ASS'Y, PRESS-FIT TAIL WITHOUT LIGHT PIPES</b>																			
DRAFT WHERE APPLICABLE MUST REMAIN WITHIN DIMENSIONS	MATERIAL NO. SEE TABLE SIZE C	DOCUMENT NO. MOLEX INCORPORATED SD-75733-001																			
		SHEET NO. 2 OF 4																			



CONNCTION PINOUT DETAIL  
COMPONENT SIDE OF BOARD

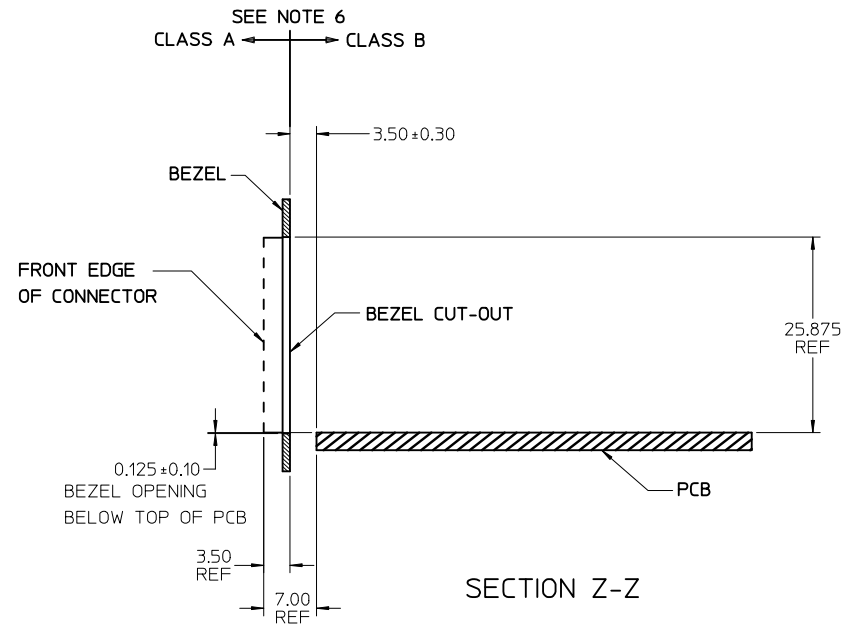
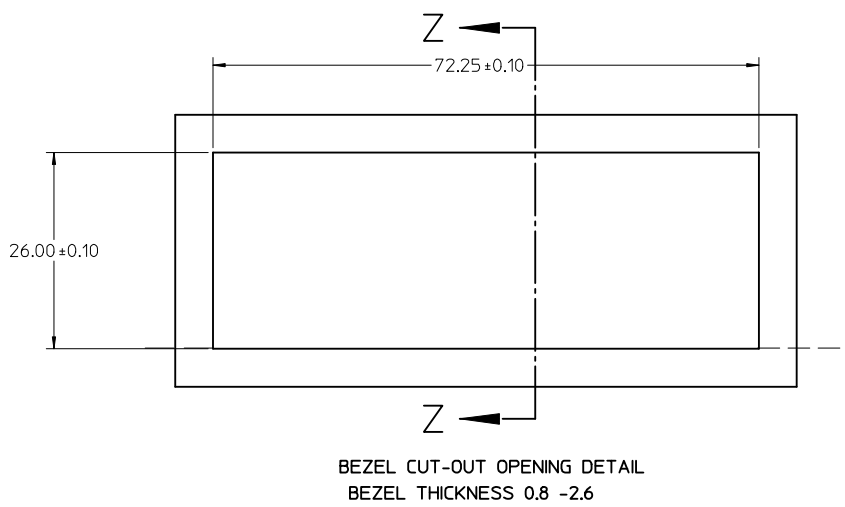


RECOMENDED PCB LAYOUT - COMPONENT SIDE  
RECOMMENDED PCB THICKNESS - 2.36 MM (.093 INCH)  
THE ENTIRE AREA OF THE CONNECTOR FOOTPRINT  
TO BE CONSIDERED THE KEEP OUT AREA FOR COMPONENTS  
THIS AREA IS INDICATED BY THE DASHED LINE



DETAIL-A  
SCALE 6:1

<b>ADD KEEP OUT ZONES</b> EC NO: UCP2010-0369 DRWING:SBARRA 2009/07/01 CHKD:BBARKER 2009/08/26 APPR:SMILLER 2009/08/27	QUALITY SYMBOLS ▽=0 ▽=0	GENERAL TOLERANCES (UNLESS SPECIFIED)		DIMENSION STYLE <b>MM ONLY</b>		SCALE <b>3:1</b>	DESIGN UNITS <b>METRIC</b>	THIRD ANGLE PROJECTION		
						DRAWN BY DATE		<b>STACKED SFP 2X5 MEDIUM HEIGHT ASS'Y, PRESS-FIT TAIL WITHOUT LIGHT PIPES</b> <b>MOLEX INCORPORATED</b>		
						CHECKED BY DATE				
						APPROVED BY DATE		DOCUMENT NO.		
		ANGULAR ± 5 °		MATERIAL NO.		SD-75733-001			SHEET NO. 3 OF 4	
DRAFT WHERE APPLICABLE MUST REMAIN WITHIN DIMENSIONS		SEE TABLE		THIS DRAWING CONTAINS INFORMATION THAT IS PROPRIETARY TO MOLEX INCORPORATED AND SHOULD NOT BE USED WITHOUT WRITTEN PERMISSION						



<b>SEE SHEET 1</b> EC NO: UCP2010-0369 2009/07/01 DRWINMSI BARRA 2009/08/26 CHKD:BBARKER APPR:SMILLER 2009/08/27	QUALITY SYMBOLS ▽=0 ▽=0	GENERAL TOLERANCES (UNLESS SPECIFIED)		DIMENSION STYLE <b>MM ONLY</b>		SCALE 2:1	DESIGN UNITS METRIC	THIRD ANGLE PROJECTION			
		4 PLACES ± --- ± ---	3 PLACES ± --- ± ---	2 PLACES ± 0.13 ± ---	1 PLACE ± 0.25 ± ---	DRAWN BY DROSCA	DATE 11/23/2004	TITLE STACKED SFP 2X5 MEDIUM HEIGHT ASS'Y, PRESS-FIT TAIL WITHOUT LIGHT PIPES			
		ANGULAR ± 5 °				CHECKED BY JLONG	DATE 11/23/2004	APPROVED BY RNELSON			
		DRAFT WHERE APPLICABLE MUST REMAIN WITHIN DIMENSIONS				MATERIAL NO. SEE TABLE	DATE 11/23/2004	MOLEX INCORPORATED		DOCUMENT NO. SD-75733-001	SHEET NO. 4 OF 4